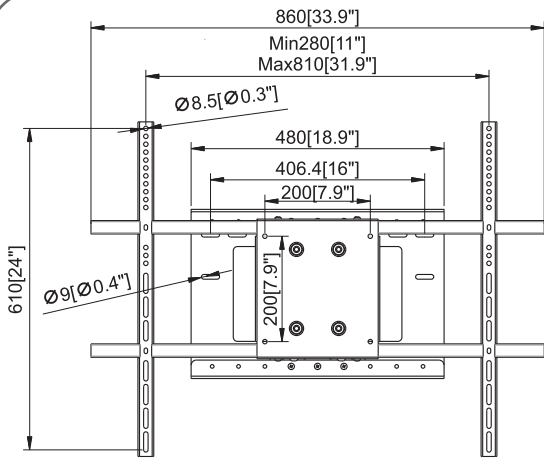
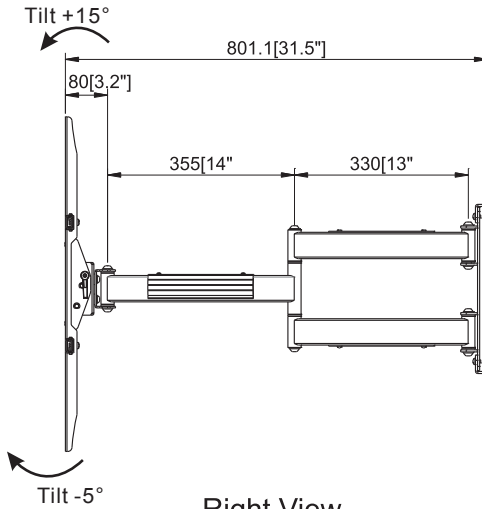


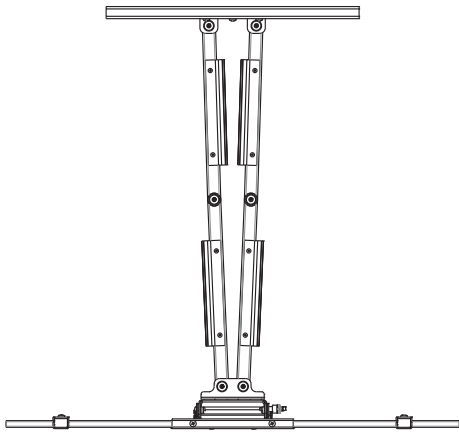
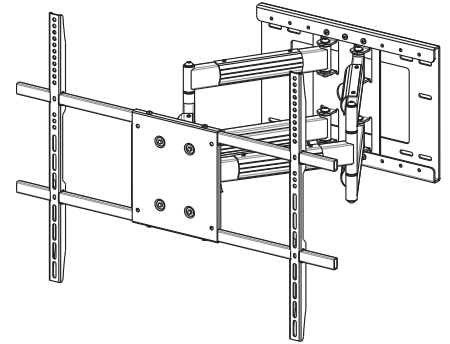
# VLDC Flat Panel Display Cantilever Mount



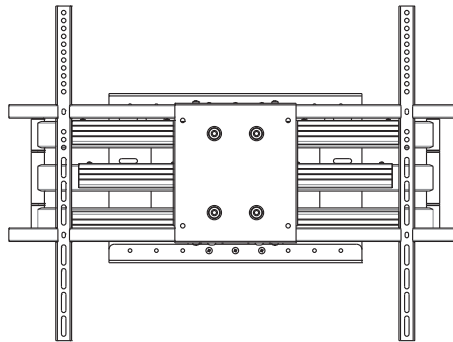
Front View



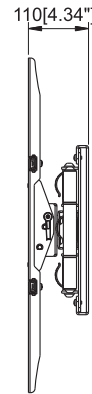
Right View



Top View



Front View  
(Folds against wall)



Right View  
(Folds against wall)

## Features :

- Ideal for displays from 42" –80" flat panel displays
- VESA Compliant: 400x200mm to 800x600mm
- 200 lbs (90.8 kg) max weight capacity
- Provides optimum viewing angles
- Offers 180° of swivel on wall
- Low profile design: folds against the wall
- Level adjust  $\pm 6^\circ$  and  $+15^\circ/-5^\circ$  of tilt
- Extends 801mm(31.5")from the wall;  
Retracts to 110mm(4.34") to save space
- Integrated cable management
- Includes hardware for installation to  
wood stud or concrete wall
- Comes in black and silver

