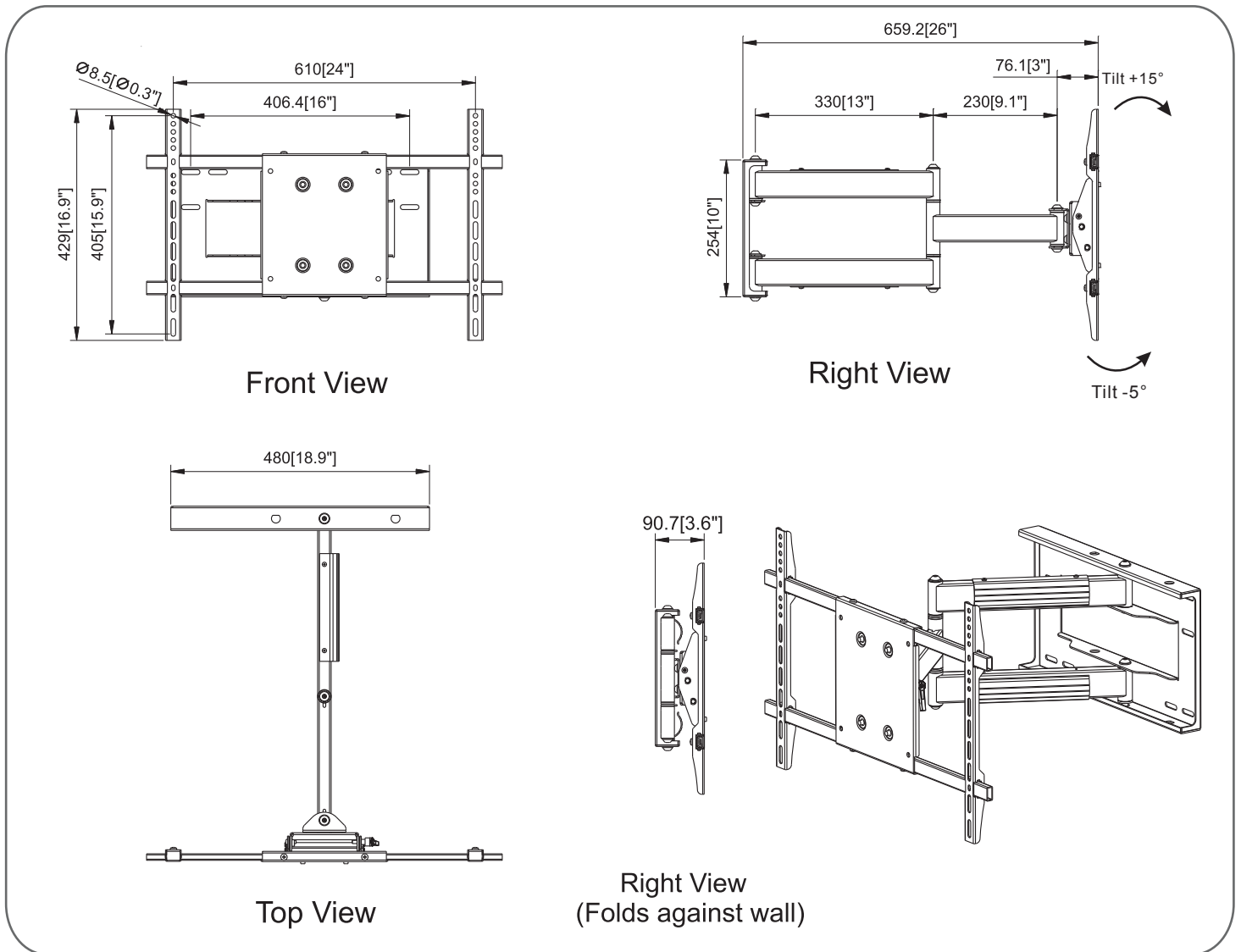


# Flat Panel Display Cantilever Mount



## Features :

- Ideal for displays from 37" -70" flat panel displays
- VESA Compliant: 200x200mm to 600x400mm
- 150 lbs (68.1 kg) max weight capacity
- Provides optimum viewing angles
- Offers 180° of swivel on wall
- Low profile design: folds against the wall
- Level adjust  $\pm 6^\circ$  and  $+15^\circ/-5^\circ$  of tilt
- Extends 659.2mm(26") from the wall;  
Retracts to 90.7mm(3.6") to save space
- Integrated cable management
- Includes hardware for installation to wood stud or concrete wall
- Comes in black and silver

